

FEED AND BIOFUEL

LIVE BIN

TYPE VB

The live bin VB is used as a pre-bin for fine-grinding in extruder plants. Its ability to homogenize grain/meal mixtures ensures that hammer mill screens are kept clean during subsequent grinding.

The live bin can also operate as a loss-in-weight weighing unit when suspended in load cells above the extruder. The extruder feed screw is then mounted directly under the bin outlet slide.

ANDRITZ

ENGINEERED SUCCESS

ADVANTAGES OF THE LIVE BIN

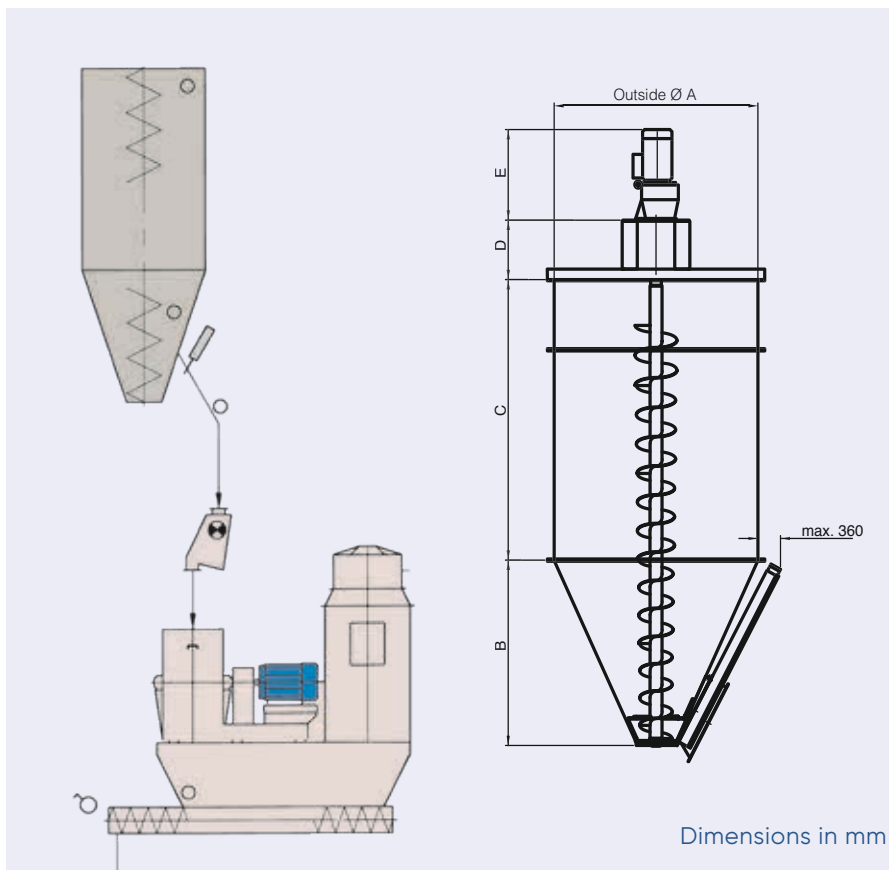
- Good homogenizing ability, materials are carried upwards by the central live bin screw
- Low power consumption
- Minimum material bridging

DESIGN

The live bin is made of mild steel, or of stainless steel as an alternative. The cylinder housing is made in sections with dust-proof flanged connections and has a conical base with inspection pane and side outlet for mounting the discharge slide. The discharge slide is operated either pneumatically or manually. The central screw has conical flights and double thrust and guide bearing on top. The screw is driven by a directly coupled geared motor.

MIXER RANGE

ANDRITZ live bins are available in volumes from 1.1 m³ to 20.7 m³.



TECHNICAL DATA

Type	Volume m ³	Motor power kW	A	B	C	D	E
VB12-1160	1.1	4.0	1207	1020	1010	360	600
VB12-2300	2.3	4.0	1207	1020	2010	360	600
VB12-3430	3.4	4.0	1207	1020	3010	360	600
VB12-4560	4.5	5.5	1207	1020	4010	425	660
VB15-1830	1.8	5.5	1506	1325	1010	425	660
VB15-2900	2.9	5.5	1506	1325	1510	425	660
VB15-3600	3.6	5.5	1506	1325	2010	425	660
VB15-5370	5.4	5.5	1506	1325	3010	425	660
VB15-7150	7.1	5.5	1506	1325	4010	425	660

ANDRITZ Feed and Biofuel A/S

andritz-fb.dk@andritz.com

p: +45 72 160 300 / andritz.com/ft



All data, information, statements, photographs and graphic illustrations in this leaflet are without any obligation and raise no liabilities to or form part of any sales contracts of ANDRITZ AG or any affiliates for equipment and/or systems referred to herein. © ANDRITZ AG 2018. All rights reserved. No part of this copyrighted work may be reproduced, modified or distributed in any form or by any means, or stored in any database or retrieval system, without the prior written permission of ANDRITZ AG or its affiliates. Any such unauthorized use for any purpose is a violation of the relevant copyright laws. ANDRITZ AG, Stattegger Strasse 18, 8045 Graz, Austria.



1224 GB

10718